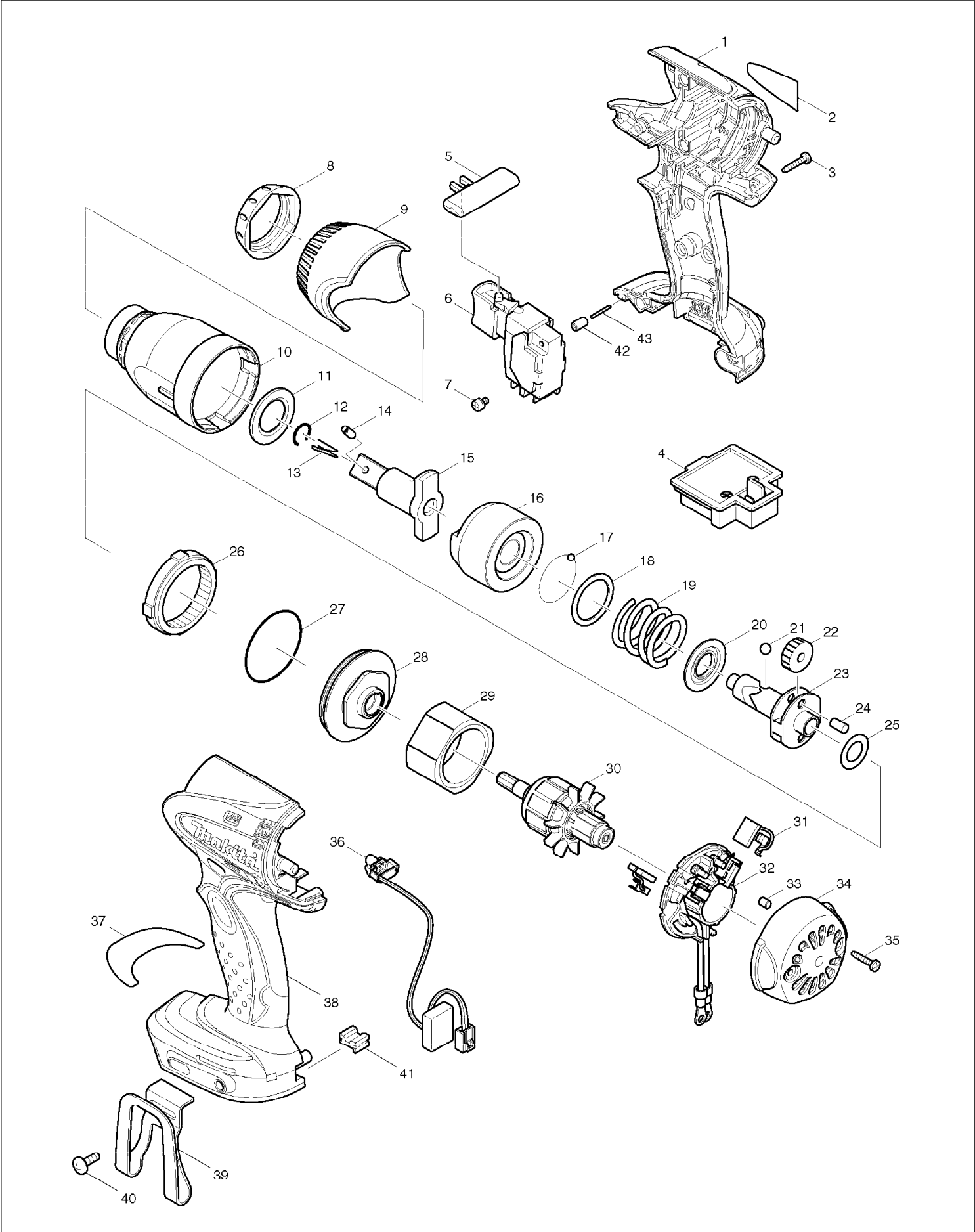


SERVICE DRAWING

MODEL NO. BTW251



SPARE PARTS LIST

MODEL NO. BTW251

ITEM	PART NO.	DESCRIPTION	QTY	NOTE
001	188243-5	HOUSING SET INC. 38	1	
002	862818-5	BTW251 NAME PLATE	1	
003	266130-9	TAPPING SCREW BIND PT 3X16	8	
004	643843-3	TERMINAL	1	
005	419041-9	F/R CHANGE LEVER	1	
006	650564-0	SWITCH TG553FSB-1	1	
007	652045-0	+PAN HEAD SCREW M3.5X5	2	
008	424155-1	BUMPER	1	
009	451361-5	HAMMER CASE COVER	1	
010	140171-2	HAMMER CASE COMPLETE	1	
011	261116-8	NYLON WASHER 18	1	
012	231907-1	RING SPRING 10	1	
015	324706-9	ANVIL	1	
016	324703-5	HAMMER	1	
017	216001-0	STEEL BALL 3.5	24	
018	267175-0	FLAT WASHER 24	1	
019	234082-2	COMPRESSION SPRING 25	1	
020	267766-7	CUP WASHER 14	1	
021	216011-7	STEEL BALL 5.6	2	
022	227233-4	SPUR GEAR 22	2	
023	324220-5	SPINDLE	1	
024	256253-1	PIN 5	2	
025	267212-0	FLAT WASHER 12	1	
026	227150-8	INTERNAL GEAR 51	1	
027	213507-9	O RING 40	1	
028	158145-9	BEARING BOX COMPLETE	1	
029	638495-3	YORK UNIT	1	
030	619253-6	ARMATURE	1	
031	194427-5	CARBON BRUSH CB-440	1	
032	638498-7	BRUSH HOLDER COMPLETE	1	
033	263032-0	RUBBER PIN 4	2	
034	418981-8	REAR COVER	1	
035	266130-9	TAPPING SCREW BIND PT 3X16	2	
036	631693-8	LIGHT CIRCUIT	1	
038	188243-5	HOUSING SET INC. 1	1	
039	324705-1	HOOK	1	
040	251314-2	+ SCREW M4X12	1	
041	424026-2	CUSHION	1	
042	263036-2	RUBBER PIN 5	1	
043	268184-2	PIN 1.5	1	
A01	***DC18RA	DC18RA FAST CHARGER	1	
A02	194204-5	BATTERY BL1830 SET	2	
A03	824753-5	PLASTIC CARRYING CASE	1	
A04	804680-2	BTW251RFE PLASTIC CASE LABEL	1	
A05	450128-8	BATTERY COVER	1	